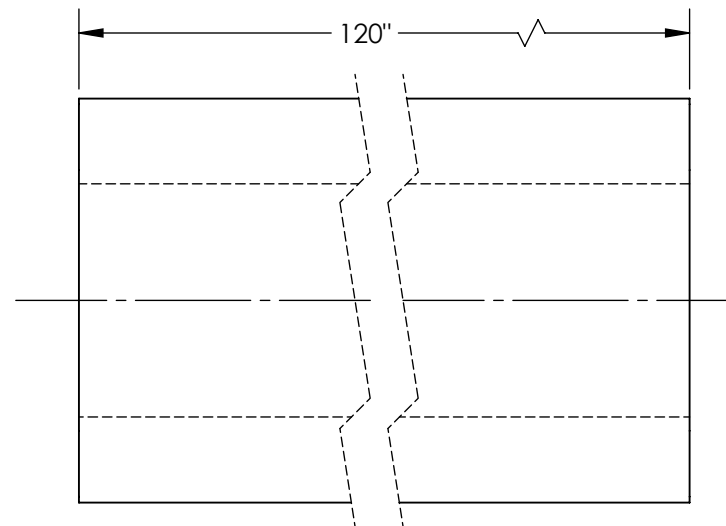
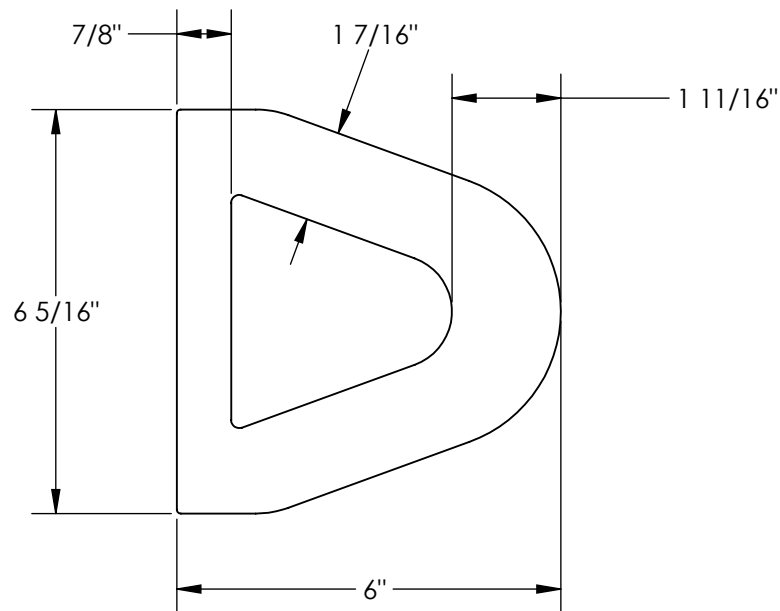


EXTRUDED RUBBER BUMPER (NO HOLES) - M-6-120

APPROX WEIGHT: 91.92 lbs.
 DOES NOT INCLUDE WEIGHT OF POWER OR PACKAGING!!!

*** ANY ADDITIONS, DELETIONS, OR OMISSIONS MUST BE CORRECTED ON THIS DRAWING AS THIS DRAWING WILL BE CONSIDERED ALL INCLUSIVE ***

ALL GRAPHICS PROVIDED ARE FOR REFERENCE ONLY. IF CERTAIN DIMENSIONS ARE CRITICAL PLEASE VERIFY THOSE DIMENSIONS WITH YOUR SALESPERSON



NOTE: ACTUAL PART LENGTH
 MAY BE -0"/+7"

DIMENSION TOLERANCE ± 3/4"

STANDARD FEATURES

MODEL NUMBER IS M-6-120
 OVERALL WIDTH IS 6 5/16"
 OVERALL LENGTH IS 120"
 OVERALL HEIGHT IS 6"
 NUMBER OF MOUNTING HOLES 0
 DUROMETER READING: A70 ± 5
 TENSIL: 1850 PSI
 ELONGATION: 220%
 TEAR STRENGTH: 229 LBS
 IMPACT RESISTANCE: 75%
 BUMPER COLOR: BLACK

SPECIAL FEATURES

NONE

APPROVAL	I, THE UNDERSIGNED, AGREE THAT THE PRODUCT AS REPRESENTED SATISFIES DESIGN AND DIMENSION REQUIREMENTS. I ALSO ACKNOWLEDGE MY DUTY TO CONFIRM PRODUCT AND INSTALLATION COMPLIANCE WITH ALL APPLICABLE FEDERAL, STATE AND LOCAL REGULATIONS AND STANDARDS.	
	ANY MODIFIED UNITS ARE NON-RETURNABLE	
	[] As drawn [] As marked	
	Signed: _____ Date: _____	
Printed Name: _____		
LEAD TIME WILL START UPON RECEIPT OF SIGNED APPROVAL DRAWING		

FOR INTERNAL USE ONLY PROJECT SIGN OFF	
SALES	
ENG.	
FAB.	
POWER	

DISTRIBUTOR'S NAME:		P.O.#
VESTIL MANUFACTURING		X
DRAWN BY: JWW		W.O.#
DATE: 04/25/19		X
REFERENCE: X	SCALE: 1:3	SALES: X
QUOTED LEAD TIME: X	QUOTE #	FILE NAME:
	X	29-007-202